

102

INDEX NO.

FLANGED GATE VALVE F5



APPLICATION

Waterworks systems and other liquids chemically neutral. Used to shut off the flow in water systems.

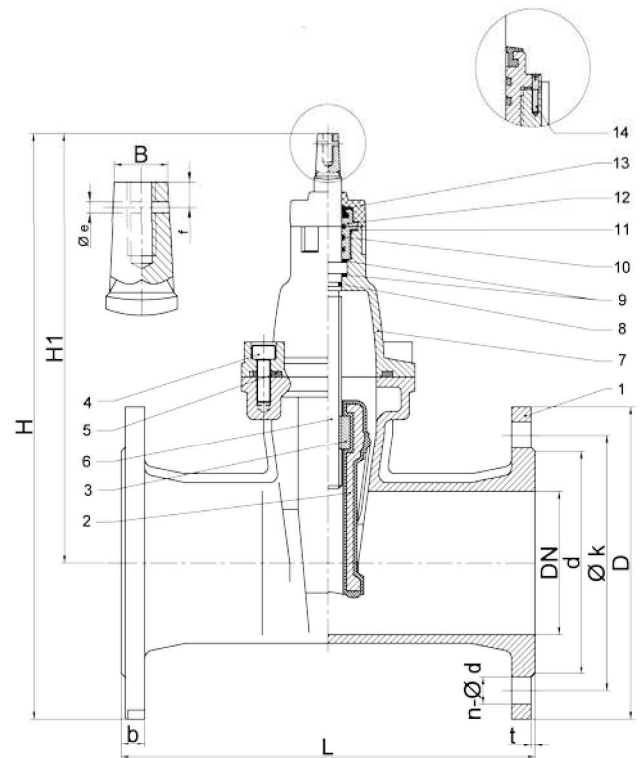
DESIGN FEATURES

- diameter range DN40-DN1000
- body - ductile iron EN GJS-500-7
- rolled stem made of stainless steel
- steam seal replaceable under the pressure
- stems seals - o-rings 3 + 1
- wedge - ductile iron, completely vulcanised with EPDM
- straight passage
- replaceable wedge nut - brass
- bonnet bolts - stainless steel, protected with a sealing paste
- anti-dust seal protecting from the dirt
- wedge - provided with two plastic guides, enabling smooth movement in the housing
- DN40-DN300: brass nut protected against unscrewing
- anti-corrosive coating - epoxy RAL5005, min. 250 µm

TECHNICAL DATA / STANDARDS

- conforms to PN-EN 1074-1, PN-EN 1074-2
- face-to-face length acc. PN-EN 558
- material acc. PN-EN 1563
- seal acc. PN-EN 681-1
- flanges acc. PN-EN 1092-2
 - DN40-DN1500: PN10/PN16
 - DN200-DN1000: PN10 or PN16
- temperature range: -10°C / +70°C

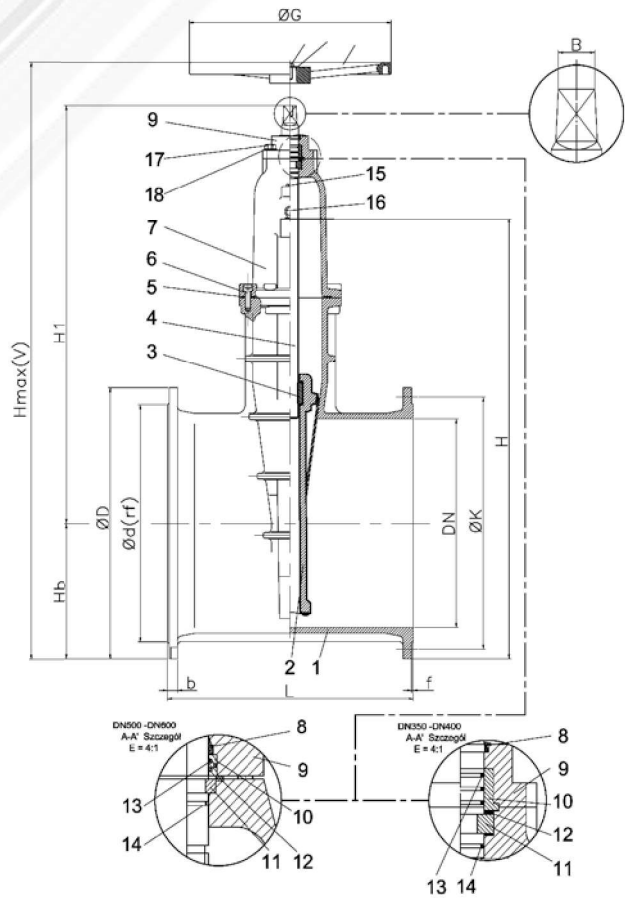
DN40-DN300			
No.	Part	Material	Standard
1	Body	EN GJS-500-7	PN-EN 1563
2	(Rubber-coated) wedge	EN GJS-500-7 + EPDM	PN-EN 1563 + PN-EN 681-1
3	Wedge nut	CW612N	PN-EN 12164
4	Bonnet bolt	A2	PN-EN ISO 4762
5	Bonnet seal	EPDM	PN-EN 681-1
6	Rolled stem	1,4021	PN-EN 10088-1
7	Bonnet	EN GJS-500-7	PN-EN 1563
8	Seal o-ring 16 x 3	EPDM	PN-EN 681-1
9	Washer	Tarnamid	
10	Seal o-ring 21 x 3	EPDM	PN-EN 681-1
11	Seal o-ring 35 x 4	EPDM	PN-EN 681-1
12	Bushing	CW612N	PN-EN 12164
13	Dust seal	EPDM	PN-EN 681-1
14	Stud screw M3	A2	DIN551



DN	PN	L [mm]	n-Ø d [mm]	D [mm]	Øk [mm]	d [mm]	b [mm]	t [mm]	H [mm]	H1 [mm]	B [mm]	Weight [kg]	Rotations	Opening torque [Nm]	Øe [mm]	f [mm]
40	10/16	240	4-Ø 19	150	110	84	19,0	3	315	240	14	11,0	5	40	4,5	12
50	10/16	250	4-Ø 19	165	125	99	19,0	3	318	236	14	13,0	6,5	50	4,5	12
65	10/16	270	4-Ø 19	185	145	118	19,0	3	351	258	17	15,0	6,5	65	5	14
80	10/16	280	8-Ø 19	200	160	132	19,0	3	389	289	17	19,0	10,5	80	5	14
100	10/16	300	8-Ø 19	220	180	156	19,0	3	429	319	19	24,0	10,5	100	5	15
125	10/16	325	8-Ø 19	250	210	184	19,0	3	486	361	19	34,0	13,0	125	5	15
150	10/16	350	8-Ø 23	285	240	211	19,0	3	541	398	19	42,0	15,5	150	5	15
200	10	400	8-Ø 23	340	295	266	20,0	3	679	509	24	65,0	40,5	200	6	15,5
200	16	400	12-Ø 23	340	295	266	20,0	3	679	509	24	65,0	40,5	200	6	15,5
250	10	450	12-Ø 23	405	350	319	22,0	3	811	608	27	90,0	42,0	250	6	18,5
250	16	450	12-Ø 28	405	355	319	22,0	3	811	608	27	90,0	42,0	250	6	18,5
300	10	500	12-Ø 23	460	400	370	24,5	4	913	683	27	130,0	51,0	300	6	18,5
300	16	500	12-Ø 28	460	410	370	24,5	4	913	683	27	130,0	51,0	300	6	18,5



DN350-DN1000			
No.	Part	Material	Standard
1	Body	EN GJS-500-7	PN-EN 1563
2	(Rubber-coated) wedge	EN GJS-500-7 EPDM	PN-EN 1563 + PN-EN 681-1
3	Wedge nut	CW612N	PN-EN 12164
4	Bonnet bolt	1.4021	PN-EN 10088-1
5	Bonnet seal	EPDM	PN-EN 681-1
6	Rolled stem	A2	PN-EN 10088-1
7	Bonnet	EN GJS-500-7	PN-EN 1563
8	Anti-dust seal	EPDM	PN-EN 681-1
9	Upper bonnet	EN GJS-500-7	PN-EN 1563
10	Upper bushing	CW612N	PN-EN 12164
11	Lower bushing	CW612N	PN-EN 12164
12	Washer	Nylon	
13	O-ring	EPDM	PN-EN 681-1
14	O-ring	EPDM	PN-EN 681-1
15	Air release	A2	PN-EN 10088-1
16	Lifting eye	S235JR	PN-EN 10020
17	Bolt	A2	PN-EN 10088-1
18	Washer	A2	PN-EN 10088-1



DN	L [mm]	PN10				PN16				b [mm]	f [mm]	H1 [mm]	H [mm]	Weight [kg]	Rotations	Opening torque [Nm]
		ØD [mm]	ØK [mm]	Ød [mm]	Ø of holes [mm]	ØD [mm]	ØK [mm]	Ød [mm]	Ø of holes [mm]							
350	550	520	460	429	16 x Ø23	520	470	429	16 x Ø28	26,5	4	789	1049	280	51,0	410
400	600	580	515	480	16 x Ø28	580	525	480	16 x Ø31	28,0	4	869	1159	320	57,5	450
500	700	715	620	582	20 x Ø28	715	650	609	20 x Ø34	31,5	4	1054	1412	480	42,0	460
600	800	780	725	682	20 x Ø31	840	770	720	20 x Ø37	30/36	5	1207/1214	1597/1604	802	51,0	670
700	900	910	840	794	24 x Ø31	910	840	794	24 x Ø37	39,5	5	1342	1797	1000	78,0	760
800	1000	1025	950	901	24 x Ø34	1025	950	901	24 x Ø41	43,0	5	1512	2025	1440	89,0	860
900	1100	1125	1050	1001	28 x Ø34	1125	1050	1001	28 x Ø41	46,0	5	1662	2225	2100	101,0	960
1000	1200	1255	1160	1112	28 x Ø37	1255	1170	1112	28 x Ø44	50,0	5	1838	2270	3528	111,0	1000