

122

INDEX NO.

SPOTTER FOR STEEL, DUCTILE/CAST IRON AND AC PIPES

APPLICATION

Waterworks systems and other liquids chemically neutral. Intended for connections with a threaded female outlet.

DESIGN FEATURES

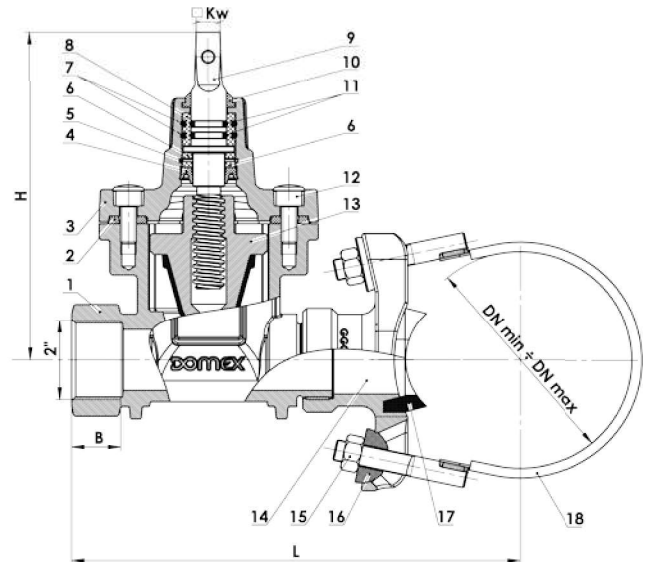
- range for DN80-DN300 pipes
- threaded female outlet - 2"
- body - ductile iron EN GJS-500-7
- saddle clamp - ductile iron EN GJS-500-7 and stainless steel
- bolts - stainless steel
- bonnet bolts - stainless steel, protected with a sealing paste
- straight passage
- wedge - brass vulcanised with EPDM
- anti-corrosive coating- epoxy RAL5005, min. 250 µm

TECHNICAL DATA / STANDARDS

- face-to-face length according to the drawing
- material acc. PN-EN 1563
- nominal pressure PN10/PN16
- threaded connection acc. PN-EN ISO 228-1
- seal acc. PN-EN 681-1
- temperature range: -10°C / +70°C



| No. | Part | Material | Standard |
|-----|--------------|-----------------|----------------------------|
| 1 | Body | EN GJS-500-7 | PN-EN 1563 |
| 2 | Bonnet seal | EPDM | PN-EN 681-1 |
| 3 | Bonnet | EN GJS-500-7 | PN-EN 1563 |
| 4 | Lip washer | EPDM | PN-EN 681-1 |
| 5 | Circlip | Stainless steel | DIN 471 |
| 6 | Washer | Polyamide (PA) | PN-EN ISO 1874-1 |
| 7 | O-ring 1 | EPDM | PN-EN 681-1 |
| 8 | Bush | Polyamide (PA) | PN-EN ISO 1874-1 |
| 9 | Rollled stem | 1.4021 (2H13) | PN-EN 10088-3 |
| 10 | Dust seal | EPDM | PN-EN 681-1 |
| 11 | O-ring 2 | EPDM | PN-EN 681-1 |
| 12 | Bolt | 1.4301 (0H18N9) | PN-EN ISO 4762 |
| 13 | Wedge | CW617N + EPDM | PN-EN 12164 PN-EN 681-1 |
| 14 | Body 2 | EN GJS-500-7 | PN-EN 1563 |
| 15 | Nut | S235JR / Zn5 | PN-ENIS 4032 |
| 16 | Washer | PE | |
| 17 | Seal | EPDM | PN-EN 681-1 |
| 18 | Clamp | 0H18N9 | PN-EN 10088-1 |



| DN | Diameter range D min-max [mm] | Height H [mm] | Length L [mm] | Kw [mm] | Threaded outlet ["] | Weight [kg] |
|-----|-------------------------------------|---------------------|---------------------|------------|---------------------------|----------------|
| 80 | 89-98 | 216 | 264 | 14 | 2" | 8,0 |
| 100 | 108-118 | | 274 | | | 8,1 |
| 125 | 133-144 | | 287 | | | 8,2 |
| 150 | 159-170 | | 300 | | | 8,3 |
| 175 | 191-200 | | 315 | | | 8,3 |
| 200 | 216-225 | | 327,5 | | | 8,3 |
| 225 | 241-250 | | 340 | | | 8,3 |
| 250 | 267-280 | | 355 | | | 8,4 |
| 300 | 315-326 | | 378 | | | 8,5 |