

131

INDEX NO.

THREADED SADDLE NR



APPLICATION

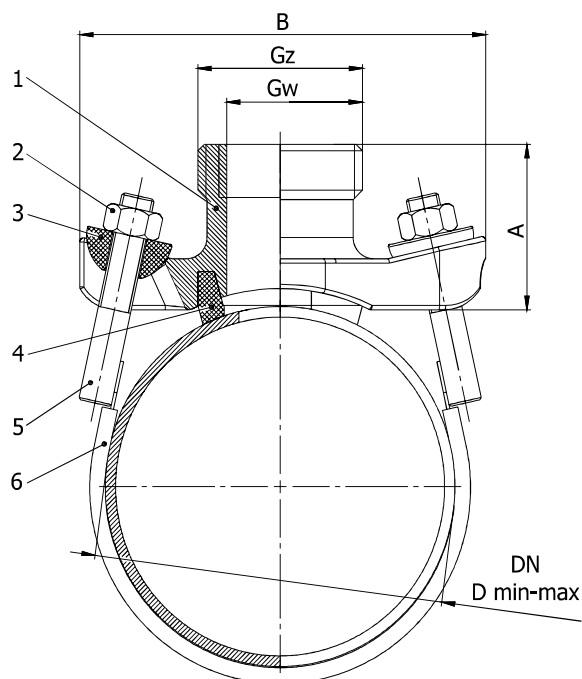
Waterworks systems, wastewater and other liquids chemically neutral. Intended for connections with a threaded female outlet.

DESIGN FEATURES

- pipe diameters DN80-DN300
- threaded female outlet - 2"
- body - ductile iron EN GJS-500-7
- saddle clamp and bolts - stainless steel
- EPDM seal for potable water or NBR seal

TECHNICAL DATA / STANDARDS

- material acc. PN-EN 1563
- nominal pressure PN10/PN16
- threaded connection acc. PN-EN ISO 228-1
- seal acc. PN-EN 681-1
- temperature range:
 - EPDM: -10°C / +70°C
 - NBR: -20°C / +80°C



No.	Part	Material	Standard
1	Body	EN GJS-500-7	PN-EN 1563
2	Nut	A4	PN-EN 10088-1
3	Washer	PE	
4	Seal	EPDM or NBR	PN-EN 681-1
5	Pin	A2	DIN 975
6	Clamp	0H18N9	PN-EN 10088-1

DN	Diameter range [mm]	Height [mm]	Width [mm]	Threaded outlet	Weight [kg]
	Dmin-max	A	B	Gw	
80	88-98	80	200	2"	2,30
100	108-118	80	200	2"	2,40
125	133-144	80	200	2"	2,50
150	159-170	80	200	2"	2,50
175	191-200	80	200	2"	2,60
200	216-225	80	200	2"	2,60
225	241-250	80	200	2"	2,65
250	267-280	80	200	2"	2,70
300	315-326	80	200	2"	2,80