

# 132

INDEX NO.

## FLANGED SADDLE NRK



### APPLICATION

Waterworks systems, wastewater and other liquids chemically neutral.  
Intended for connections with flanged outlets DN50, DN80 or DN100.

### DESIGN FEATURES

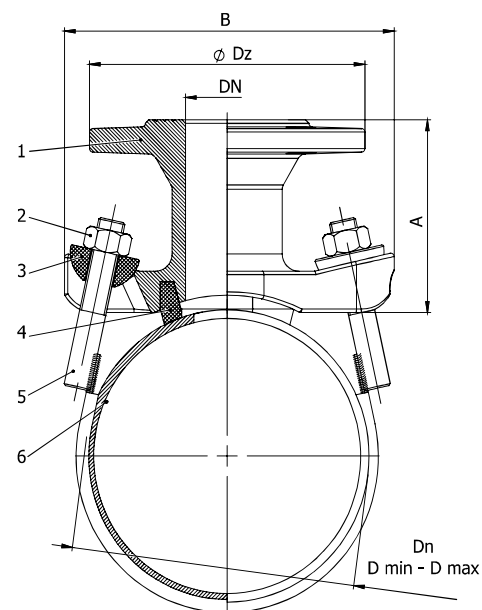
- pipe diameters DN80-DN600
- flange outlet DN50, DN80 or DN100
- body - ductile iron EN GJS-500-7
- saddle clamp and bolts - stainless steel
- EPDM seal for potable water or NBR seal

### TECHNICAL DATA / STANDARDS

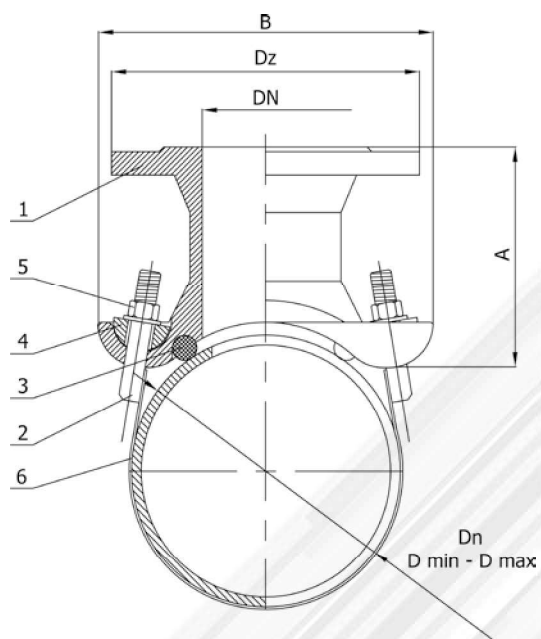
- material acc. PN-EN 1563
- nominal pressure PN10/PN16
- flange connection acc. PN-EN 1092-2
- seal acc. PN-EN 681-1
- temperature range:
  - EPDM: -10°C / +70°C
  - NBR: -20°C / +80°C

No.	Part	Material	Standard
1	Body	EN GJS-500-7	PN-EN 1563
2	Nut	A4	PN-EN 10088-1
3	Washer	PE	
4	Seal	EPDM or NBR	PN-EN 681-1
5	Pin	A2	DIN 975
6	Clamp	0H18N9	PN-EN 10088-1

Dn	DN	Diameter range [mm]	Height [mm]	Width [mm]	Flange [mm]	Weight [kg]
		D min-max [mm]	A	B	Dz	
80 ductile iron/steel	50	89-98	115	200	165	5,20
100 ductile iron/steel		108-118	115	200	165	5,25
125 ductile iron/steel		133-144	115	200	165	5,30
150 ductile iron/steel		159-170	115	200	165	5,30
175 ductile iron/steel		191-200	115	200	165	5,35
200 ductile iron/steel		216-225	115	200	165	5,40
225 ductile iron/steel		241-250	115	200	165	5,70
250 ductile iron/steel		267-280	115	200	165	5,75
300 ductile iron/steel		315-326	115	200	165	5,80
150 ductile iron/steel	80	159-170	145	220	200	10,00
200 ductile iron/steel		216-225	140	235	200	10,50
250 ductile iron/steel		267-280	140	235	200	10,50
300 ductile iron/steel		315-326	140	235	200	10,50
350 steel		355-368	135	258	200	11,00
350 ductile iron		375-385	135	258	200	11,00
400 steel		406-419	135	258	200	11,00
400 ductile iron		428-438	135	258	200	11,00
500 steel		508-521	135	258	200	11,50
500 ductile iron	530-540	135	258	200	11,50	
600 steel	100	610-622	135	258	200	12,00
600 ductile iron		630-640	135	258	200	12,00
150 ductile iron/steel		159-170	145	220	220	10,00
200 ductile iron/steel		216-225	140	235	220	10,50
250 ductile iron/steel		267-280	140	235	220	10,50
300 ductile iron/steel		315-326	140	235	220	10,50
350 steel		355-368	135	258	220	11,00
350 ductile iron		375-385	135	258	220	11,00
400 steel		406-419	135	258	220	11,00
400 ductile iron	428-438	135	258	220	11,00	
500 steel	508-521	135	258	220	11,50	
500 ductile iron	530-540	135	258	220	11,50	
600 steel	610-622	135	258	220	12,00	
600 ductile iron	630-640	135	258	220	12,00	



Flange outlet DN50



Flange outlet DN80/DN100