

136

INDEX NO.

TAPPING SADDLE FOR PE/PVC PIPES



APPLICATION

Waterworks systems. Intended for connections with a threaded female outlet on PE/PVC pipes.

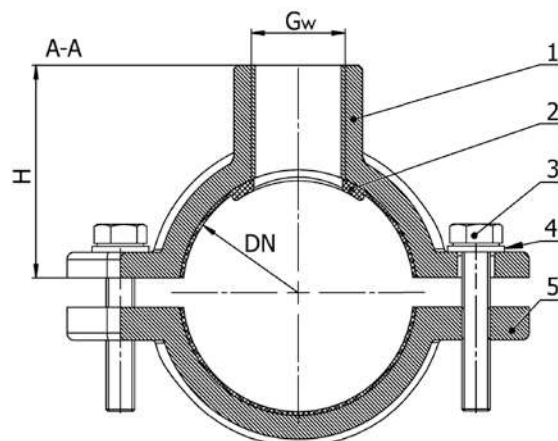
DESIGN FEATURES

- diameter range between 63 mm and 315 mm
- body - ductile iron EN GJS-500-7
- bolts, washers - stainless steel
- EPDM seal for potable water

TECHNICAL DATA / STANDARDS

- material acc. PN-EN 1563
- nominal pressure PN10/PN16
- threaded connection acc. PN-EN ISO 228-1
- seal acc. PN-EN 681-1
- temperature range: -10°C / +70°C

No.	Part	Material	Standard
1	Body 1	EN GJS-500-7	PN-EN 1563
2	Seal	EPDM	PN-EN 681-1
3	Bolt	0H18N9	PN-EN ISO 4017
4	Washer	0H18N9	PN-EN ISO 7089
5	Body 2	EN GJS-500-7	PN-EN 1563



Pipe diameter [mm]	Threaded female outlet ["]	A	B	H	N	M	Weight [kg]
63	1"	85	108	64	4	8	2,5
	1 1/4"						2,5
	1 1/2"						2,5
	2"						2,5
90	1"	90	135	75	4	10	3,0
	1 1/4"						3,0
	1 1/2"						3,0
	2"						3,0
110	1"	100	155	86	4	12	4,0
	1 1/4"						4,0
	1 1/2"						4,0
	2"						4,0
125	1"	100	170	95	4	12	5,0
	1 1/4"						5,0
	1 1/2"						5,0
	2"						5,0
160	1"	110	210	126	4	12	6,0
	1 1/4"						6,0
	1 1/2"						6,0
	2"						6,0
200	1"	110	252	147	4	16	8,5
	1 1/4"						8,5
	1 1/2"						8,5
	2"						8,5
225	1"	200	285	148	4	16	10,5
	1 1/4"						10,5
	1 1/2"						10,5
	2"						10,5
250	1"	140	312	170	6	16	11,5
	1 1/4"						11,5
	1 1/2"						11,5
	2"						11,5
315	1"	250	385	230	8	16	21,5
	1 1/4"						21,0
	1 1/2"						20,5
	2"						20,0

