

# 301

INDEX NO.

## PIPE COUPLING RR



### APPLICATION

Waterworks systems, wastewater and other liquids chemically neutral. Intended for connecting between plain ends of ductile iron, steel and AC pipes. 11-22 variants also available for PE/PVC.

### DESIGN FEATURES

- diameter range:
  - DN80-DN300 - for ductile iron, steel and AC pipes
  - DN80-DN200 - for PE/PVC pipes
- body, bonnet - ductile iron EN GJS-500-7
- EPDM seal for potable water or NBR seal for wastewater
- product's height and body shape enable correct installation, suitable pipe arrangement and trouble-free operation in difficulted conditions
- standard bolts - galvanised, stainless steel bolts also available
- pipe angular deflection up to  $\pm 3^\circ$
- ability to connect different pipe types
- variants 11-22: special, vulcanised brass clamping ring in a seal preventing the pipe from sliding out
- anticorrosion coating - epoxy RAL5005, min. 250  $\mu\text{m}$

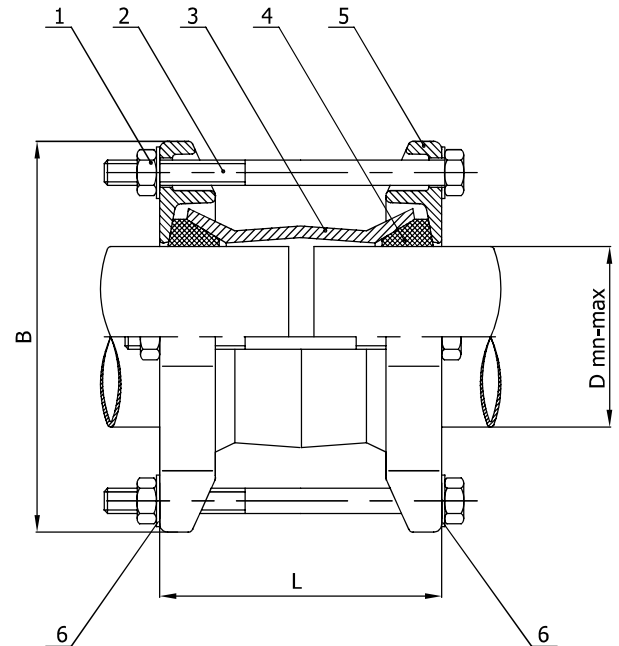
### TECHNICAL DATA / STANDARDS

- material acc. PN-EN 1563
- seal acc. PN-EN 681-1
- RR var. 01-02: nominal pressure PN10/PN16
- RR PE/PVC var. 11-22: nominal pressure PN10
- temperature range:
  - EPDM:  $-10^\circ\text{C}$  /  $+70^\circ\text{C}$
  - NBR:  $-20^\circ\text{C}$  /  $+80^\circ\text{C}$

**Variant 01-02 - Pipe coupling RR**

No.	Part	Material	Standard
1	Nut	S235JR / Zn5	PN-EN ISO 4032
2	Bolt	S235JR / Zn5	PN-EN ISO 4014
3	Body	EN GJS-500-7	PN-EN 1563
4	Seal	EPDM or NBR	PN-EN 681-1
5	Cover	EN GJS-500-7	PN-EN 1563
6	Washer	S235JR / Zn5	PN-EN ISO 7089

DN	Diameter range	Height	Width	Weight [kg]
	Dmin-max [mm]	L [mm]	B [mm]	
80	88 - 102	170±5	216	7,1
100	108 - 128	170±5	242	7,7
150	159 - 184	170±5	304	10,7
200	219 - 238	170±5	360	14,8
250	273 - 280	170±5	400	18,2
300	315 - 326	170±5	448	21,3



**Variant 11-22 - Pipe coupling RR PE/PVC**

No.	Part	Material	Standard
1	Body	EN GJS-500-7	PN-EN 1563
2	Nut	S235JR / Zn5	PN-EN ISO 4032
3	Bolt	S235JR / Zn5	PN-EN ISO 4014
4	Cover	EN GJS-500-7	PN-EN 1563
5	Ring	MO-58	
6	Seal	EPDM or NBR	PN-EN 681-1
7	Washer	S235JR / Zn5	PN-EN ISO 7089

DN	Diameter range	Height	Width	Weight [kg]
	Dmin-max [mm]	L [mm]	B [mm]	
80	90	170±5	216	7,2
100	110	170±5	242	7,8
150	160	170±5	304	10,8
200	225	170±5	360	15,0

