

# 302

INDEX NO.

## UNIVERSAL PIPE COUPLING RU

### APPLICATION

Waterworks systems, wastewater and other liquids chemically neutral. Intended for connecting plain ends of ductile iron, steel and AC pipes.

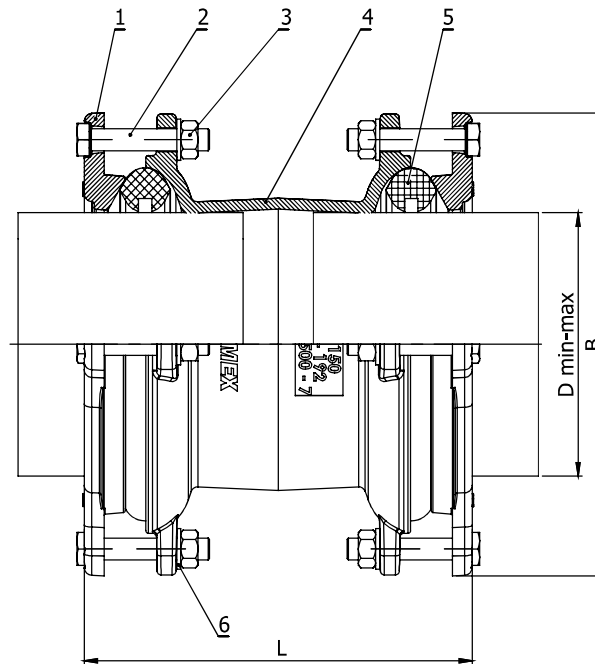
### DESIGN FEATURES

- diameter range DN80-DN300
- body, bonnet - ductile iron EN GJS-500-7
- EPDM seal for portable water or NBR seal for wastewater
- product's height and body shape enable correct installation suitable pipe arrangement and trouble-free operation in difficulted conditions
- standard connecting bolts - galvanised, stainless steel bolts also available
- pipe angular deflection up to  $\pm 4^\circ$
- screwed independently on both ends of the coupling
- ability to connect different pipe types
- anticorrosion coating - epoxy RAL5005, min. 250  $\mu\text{m}$

### TECHNICAL DATA / STANDARDS

- material acc. PN-EN 1563
- seal acc. PN-EN 681-1
- nominal pressure PN10/PN16
- temperature range:
  - EPDM:  $-10^\circ\text{C}$  /  $+70^\circ\text{C}$
  - NBR:  $-20^\circ\text{C}$  /  $+80^\circ\text{C}$





No.	Part	Material	Standard
1	Cover	EN GJS-500-7	PN-EN 1563
2	Bolt	S235JR / Zn5	PN-EN ISO 4017
3	Nut	S235JR / Zn5	PN-EN ISO 4032
4	Body	EN GJS-500-7	PN-EN 1563
5	Seal	EPDM or NBR	PN-EN 681-1
6	Washer	S235JR / Zn5	PN-EN ISO 7089

DN	Diameter range	Height	Width	Weight [kg]
	Dmin-max [mm]	L [mm]	B [mm]	
80	87 - 106	220	196	8,5
100	108 - 132	245	232	11,7
150	158 - 192	280	345	21,7
200	206 - 231	315	393	30,7
250	266 - 311	385	490	51,0
300	315 - 356	385	540	69,0