

308

INDEX NO.

UNIVERSAL PIPE COUPLING NPU



APPLICATION

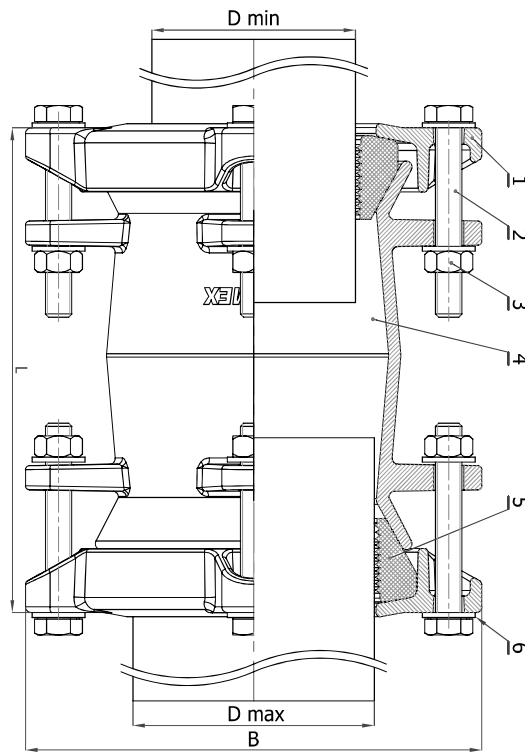
Waterworks systems, wastewater and other liquids chemically neutral. Intended for repairs of ductile iron, steel AC and PE/PVC pipes.

DESIGN FEATURES

- diameter range:
 - DN80-DN300 - for ductile iron, steel and AC pipes
 - DN80-DN200 - for PE/PVC pipes
- body, bonnet - ductile iron EN GJS-500-7
- EPDM seal for potable water or NBR seal for wastewater
- the large product's height and body shape enable correct installation, suitable pipe arrangement and trouble - free operation in difficult conditions
- standard connecting bolts - galvanised, stainless steel bolts also available
- independently screwed on both ends of the universal pipe coupling
- ability to connect different pipe types
- variants 11-22: seal with a brass ring for PE/PVC pipes for enquiry
- anticorrosion coating - epoxy RAL5005, min. 250 µm

TECHNICAL DATA / STANDARDS

- material acc. PN-EN 1563
- seal acc. PN-EN 681-1
- var. 01-02: nominal pressure PN10/PN16
- var. 11-22: nominal pressure PN10
- temperature range:
 - EPDM: -10°C / +70°C
 - NBR: -20°C / +80°C



No.	Part	Material	Standard
1	Cover	EN GJS-500-7	PN-EN 1563
2	Bolt	S235JR / Zn5	PN-EN ISO 4017
3	Nut	S235JR / Zn5	PN-EN ISO 4032
4	Body	EN GJS-500-7	PN-EN 1563
5	Seal	EPDM or NBR	PN-EN 681-1
6	Washer	S235JR / Zn5	PN-EN ISO 7089

DN	Diameter range	Height	Width	Weight [kg]
	Dmin-max [mm]	L [mm]	B [mm]	
80	88 - 102	250±5	216	10,1
100	108 - 128	250±5	242	11,4
150	159 - 184	250±5	304	16,5
200	219 - 238	250±5	360	21,9
250	273 - 280	250±5	400	28,3
300	315 - 326	250±5	448	30,0