

311

INDEX NO.

FLANGE ADAPTOR RK



APPLICATION

Waterworks systems, wastewater and other liquids chemically neutral. Intended for connecting plain ends of ductile iron, steel and AC pipes with flange fittings. 11-22 variants also available for PE/PVC. Do not use at the end of a pipeline.

DESIGN FEATURES

- diameter range:
 - DN80-DN300 - for ductile iron, steel and AC pipes
 - DN80-DN200 - for PE/PVC pipes
- body, bonnet - ductile iron EN GJS-500-7
- EPDM seal potable tap water or NBR seal for wastewater
- product's height and body shape enable correct installation, suitable pipe arrangement and trouble-free operation in difficult conditions
- standard connecting bolts - galvanised, stainless steel bolts also available
- pipe angular deflection $\pm 3^\circ$
- variants 11-22: special, vulcanised brass clamping ring in a seal preventing the pipe from sliding out
- anticorrosion coating - epoxy RAL5005, min. 250 μm

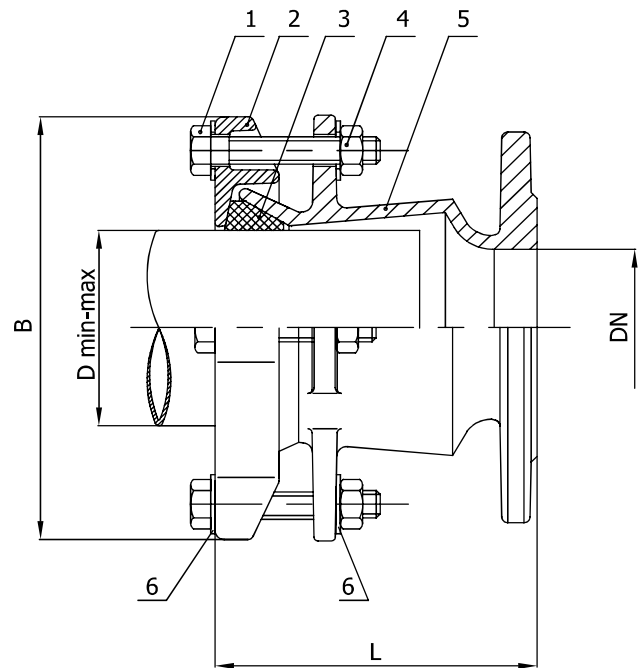
TECHNICAL DATA / STANDARDS

- material acc. PN-EN 1563
- seal acc. PN-EN 681-1
- flange connection acc. PN-EN 1092-2
 - DN50-DN150: PN10/PN16
 - DN200-DN300: PN10 or PN16
- RR PE/PVC var. 11-22: nominal pressure PN10
- temperature range:
 - EPDM: -10°C / $+70^\circ\text{C}$
 - NBR: -20°C / $+80^\circ\text{C}$

Variant 01-02 - Flange adaptor RK

No.	Part	Material	Standard
1	Bolt	S235JR / Zn5	PN-EN ISO 4017
2	Cover	EN GJS-500-7	PN-EN 1563
3	Seal	EPDM or NBR	PN-EN 681-1
4	Nut	S235JR / Zn5	PN-EN ISO 4032
5	Body	EN GJS-500-7	PN-EN 1563
6	Washer	S235JR / Zn5	PN-EN ISO 7089

DN	Diameter range	Height	Width	Weight [kg]
	Dmin-max [mm]	L [mm]	B [mm]	
50	56,5 - 66,5	180±5	145	5,4
65	72,5-82,5	180±5	165	6,0
80	88-102	180±5	216	8,3
100	108-128	190±5	242	10,2
125	139-154	200±5	270	13,2
125/ 150	139-154	200±5	270	13,8
150	159-184	210±5	304	15,8
175/ 200	190-204	220±5	325	20,3
200	219-238	220±5	360	20,0
225/ 250	245-250	220±5	380	29,2
250	273-280	230±5	400	29,1
300	315-326	230±5	448	33,3



Variant 11-22 - Flange adaptor RK PE/PVC

No.	Part	Material	Standard
1	Bolt	S235JR / Zn5	PN-EN ISO 4017
2	Cover	EN GJS-500-7	PN-EN 1563
3	Seal	EPDM or NBR	PN-EN 681-1
4	Ring	MO-58	
5	Nut	S235JR / Zn5	PN-EN ISO 4032
6	Body	EN GJS-500-7	PN-EN 1563
7	Washer	S235JR / Zn5	PN-EN ISO 7089

DN	Diameter range	Height	Width	Weight [kg]
	D [mm]	L [mm]	B [mm]	
50	63	180±5	145	5,7
80	90	180±5	216	8,4
100	110	190±5	242	10,3
150	160	210±5	304	16,0
200	225	220±5	360	20,3

