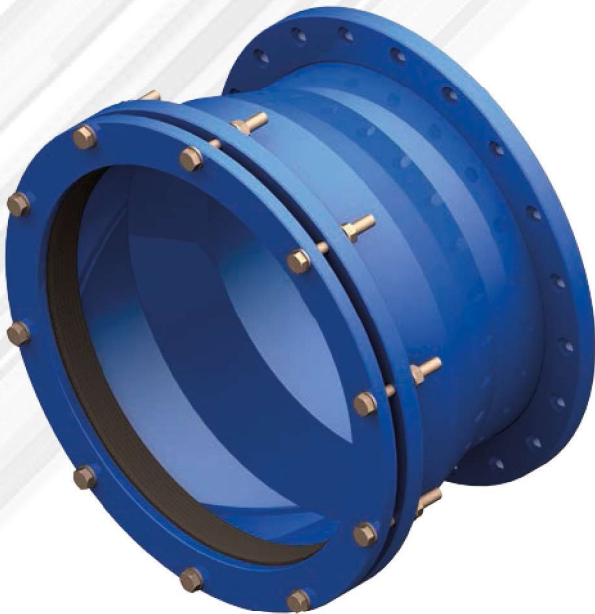


# 363

INDEX NO.

## REDUCING FLANGE ADAPTOR RKS-R-FL



### APPLICATION

Intended for mechanical connection of plain end of pipe with flanged fittings of different diameter in waterworks, wastewater and other systems for liquids chemically neutral. Used for iron, steel, plastic, GRP and AC pipes.

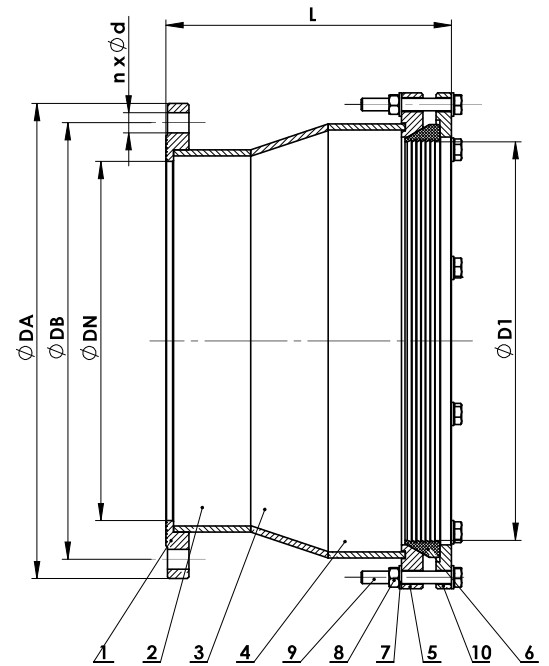
### DESIGN FEATURES

- diameter range DN250-2000
- adaptor tolerance is  $\pm 7$  mm in relation to the outer pipe diameter
- pipe angular deflection up to  $\pm 3^\circ$
- corrosion protection:
  - epoxy coating
  - optional: hot-dip galvanized
- EPDM gasket for potable water or NBR gasket for wastewater
- threaded galvanized pins, optional: hot-dip galvanized, stainless steel, acidresistant steel
- eyebolt
- possibility to design and produce an adaptor according to individual customer needs: nonstandard height, made of different materials, e.g. stainless steel
- possibility of connecting various types of pipes even with very large reductions
- reinforced construction for heavier working conditions and increased product life

### TECHNICAL DATA / STANDARDS

- material acc. PN-EN 10020
- seal:
  - NBR: PN-EN 681-1
  - EPDM: WRAS, BS 6920-2, ACS
- flange drilled acc. PN-EN 1092
- nominal pressure:
  - PN10: DN250-2000
  - PN16: DN250-1200
- temperature range:
  - EPDM:  $-10^\circ\text{C}$  /  $+60^\circ\text{C}$
  - NBR:  $-20^\circ\text{C}$  /  $+80^\circ\text{C}$

No.	Name	Material	Standard
1	Connection flange	S235JR / 0H18N9 / 0H17N12M2	PN-EN 10020
2	Body I	S235JR / 0H18N9 / 0H17N12M2	PN-EN 10020
3	Stepped segment	S235JR / 0H18N9 / 0H17N12M2	PN-EN 10020
4	Body II	S235JR / 0H18N9 / 0H17N12M2	PN-EN 10020
5	Fixed flange	S235JR / 0H18N9 / 0H17N12M2	PN-EN 10020
6	Gasket	EPDM / NBR	PN-EN 681
7	Washer	S235JR / Zn5 / A2 / A4	PN-EN ISO 7089
8	Nut	S235JR / Zn5 / A2 / A4	PN-EN ISO 4032
9	Bolt	S235JR / Zn5 / A2 / A4	PN-EN ISO 4017
10	Clamping flange	S235JR / 0H18N9 / 0H17N12M2	PN-EN 10020



Outer pipe diameter	Flange	Length
$\phi D1$ [mm]	DN [mm]	L [mm]
270-2000	250-2000	500-1500