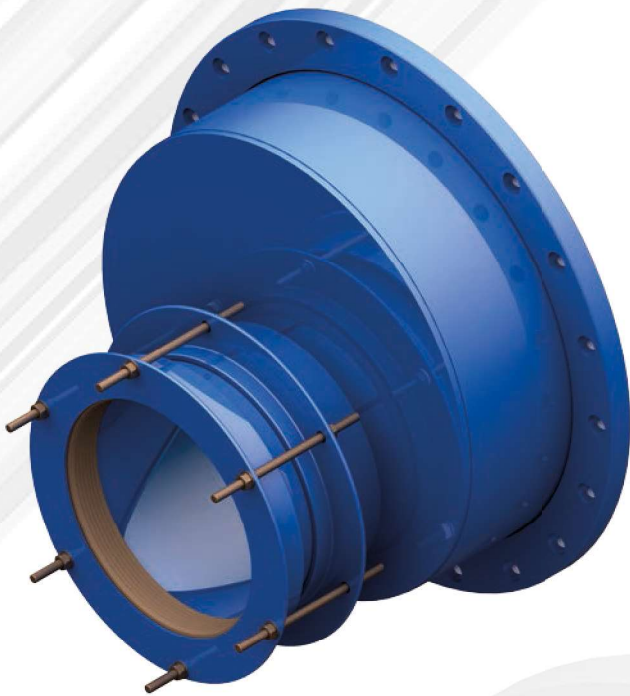


371

INDEX NO.

NON-CONCENTRIC FLANGE ADAPTOR RKS-MIM



APPLICATION

Intended for mechanical connection of plain end of pipe with flanged fittings shifted axially with each other of equal or different diameters in waterworks, wastewater and other systems for liquids chemically neutral. Used for iron, steel, plastic, GRP and AC pipes.

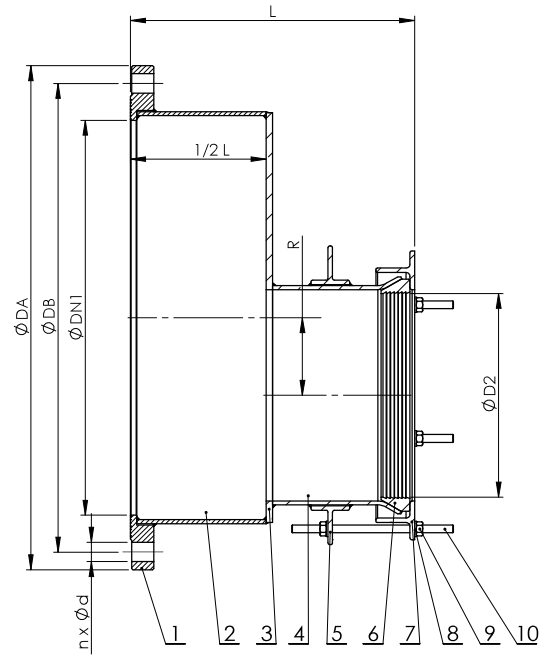
DESIGN FEATURES

- diameter range DN250-2000
- adaptor tolerance is ± 7 mm in relation to the outer pipe diameter
- pipe angular deflection up to $\pm 3^\circ$
- corrosion protection:
 - epoxy coating
 - optional: hot-dip galvanized
- EPDM gasket for potable water or NBR gasket for wastewater
- threaded galvanized pins, optional: hot-dip galvanized, stainless steel, acidresistant steel
- eyebolt
- possibility to design and produce an adaptor according to individual customer needs: nonstandard height, made of different materials, e.g. stainless steel
- possibility of connecting different types of pipes shifted axially in relation to each other

TECHNICAL DATA / STANDARDS

- material acc. PN-EN 10020
- seal:
 - NBR: PN-EN 681-1
 - EPDM: WRAS, BS 6920-2, ACS
- flange drilled acc. PN-EN 1092
- nominal pressure:
 - PN10: DN250-2000
 - PN16: DN250-1200
- temperature range:
 - EPDM: -10°C / $+60^\circ\text{C}$
 - NBR: -20°C / $+80^\circ\text{C}$

No.	Name	Material	Standard
1	Connection flange	S235JR / 0H18N9 / 0H17N12M2	PN-EN 1092
2	Body I	S235JR / 0H18N9 / 0H17N12M2	PN-EN 10020
3	Reduction cover	S235JR / 0H18N9 / 0H17N12M2	PN-EN 10020
4	Body II	S235JR / 0H18N9 / 0H17N12M2	PN-EN 10020
5	Fixed rim	S355JR / 0H18N9 / 0H17N12M2	PN-EN 10020
6	Gasket	EPDM / NBR	PN-EN 681
7	Clamping rim	S355JR / 0H18N9 / 0H17N12M2	PN-EN 10020
8	Washer	S235JR / Zn5 / A2 / A4	PN-EN ISO 7089
9	Nut	S235JR / Zn5 / A2 / A4	PN-EN ISO 4032
10	Threaded pin	S235JR / Zn5 / A2 / A4	DIN 975



Outer pipe diameter	Flange	Length
ØD2 [mm]	DN1 [mm]	L [mm]
270-2000	250-2000	500-1500