

402

INDEX NO.

TRIPLE REPAIR CLAMP UUU



APPLICATION

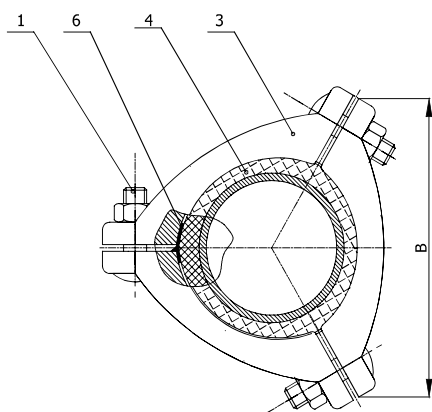
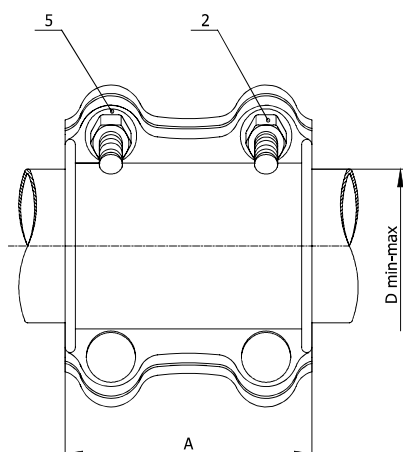
Waterworks systems, wastewater and other liquids chemically neutral. Intended for repairs of ductile iron, steel and AC pipes.

DESIGN FEATURES

- diameter range DN80-DN200
- body - ductile iron EN GJS-500-7
- EPDM or NBR seal
- standard connecting bolts - galvanised, stainless steel bolts also available
- can be installed using one wrench
- anticorrosion coating - epoxy RAL5005, min. 250 µm

TECHNICAL DATA / STANDARDS

- face-to-face length according to the drawing
- material acc. PN-EN 1563
- seal acc. PN-EN 681-1
- nominal pressure: DN80-DN200: PN16
- temperature range:
 - EPDM: -10°C / +70°C
 - NBR: -20°C / +80°C



No.	Part	Material	Standard
1	Bolt	S235JR / Zn5	PN-EN ISO 4017
2	Nut	S235JR / Zn5	PN-EN ISO 4032
3	Body	EN GJS-500-7	PN-EN 1563
4	Seal	EPDM or NBR	PN-EN 681-1
5	Washer	S235JR / Zn5	PN-EN ISO 7089
6	Plate	S235JR	PN-EN 10020

DN	Diameter range	Height	Width	Weight [kg]
	Dmin-max [mm]	A [mm]	B [mm]	
80	88 - 100	170	185	7,6
100	107 - 119	170	200	8,0
150	157 - 170	220	245	12,7
200	215 - 225	250	300	18,9