

604

INDEX NO.

OVERGROUND HYDRANT DN80 SINGLE CLOSING



APPLICATION

Waterworks and fire-fighting installations.

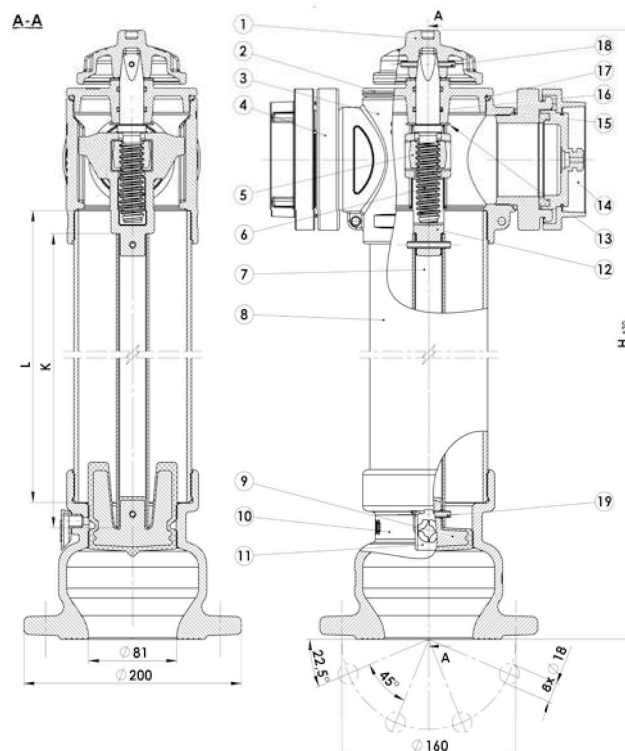
DESIGN FEATURES

- head, base - ductile iron EN GJS-500-7
- column:
 - 604A - carbon steel S235JR
 - 604B - stainless steel (0H18N9 / AISI 304 / 1.4301)
 - 604C - ductile iron (EN GJS-500-7 / 5.3200 / EN JS1030)
 - 604D - carbon steel S235JR hot dip galv.
- rolled stem made of stainless steel (2H13, AISI 420, 1.4021)
- stem seal - o-ring
- self - draining when fully closed
- rod:
 - column A, C, D - constructional steel with anti-corrosive coating or stainless steel
 - column B - stainless steel
- single piston closing system
- closing piston - ductile iron, fully vulcanised with EPDM
- internal elements may be replaced without the need to dig the hydrant out
- corrosion protection:
 - external - polyester RAL3000, min. 250 µm, UV resistant
 - internal - epoxy coating approved for contact with drinking water
- optionally - brass bushing at piston working location

TECHNICAL DATA / STANDARDS

- design, requirements, test methods, application acc. PN-EN 14339, PN-EN 1074-6
- material acc. PN-EN 1563, PN-79/H-74244, PN-EN 10088-1
- flange PN16 acc. PN-EN 1092-2
- base B75 acc. PN-M-51038
- operating wrench acc. PN-63/M-74085, DIN 3223

No.	Part	Material	Standard
1	Operating nut	EN GJS-500-7	PN-EN 1563
2	Cover	EN GJS-500-7	PN-EN 1563
3	Head	EN GJS-500-7	PN-EN 1563
4	Base 75	Ak-11 / Aluminium	PN-91/M-51038
5	Nut Tr	CW617N	PN-EN 12164
6	Bolts Tr	2H13	PN-EN 10088-1
7	Rod	S235JR / Zn5 / A2	PN-EN 10219-2 PN-EN 10088-1
8	Hydrant column	S235JR / A2 / EN GJS-500-7 / S235JR hot dip galv.	PN-79/H-74244 PN-EN 10088-1 PN-EN 1563
9	Closing piston	EN GJS-500-7 + EPDM	PN-EN 1563 PN-EN 681-1
10	Base	EN GJS-500-7	PN-EN 1563
11	Drainage plug	PE	PN-89/C-89286
12	Slider	EN GJS-500-7	PN-EN 1563
13	Washer	A2 (OH18N9)	PN-EN 10088-1
14	Cover 75	PE	PN-91/M-51024
15	O-ring	EPDM	PN-EN 681-1
16	O-ring	EPDM	PN-EN 681-1
17	O-ring	EPDM	PN-EN 681-1
18	Pin	Spring steel	PN-EN ISO 8752
19	Pin	Spring steel	PN-EN ISO 8752



DN	Height H [mm]	Installation depth Rd [mm]	Weight [kg]
80	1950	1000	36,1
80	2150	1250	38,7
80	2350	1500	41,3