

614

INDEX NO.

UNDERGROUND HYDRANT DN80 DOUBLE OR SINGLE CLOSING WITH BALL



APPLICATION

Waterworks and fire-fighting installations.

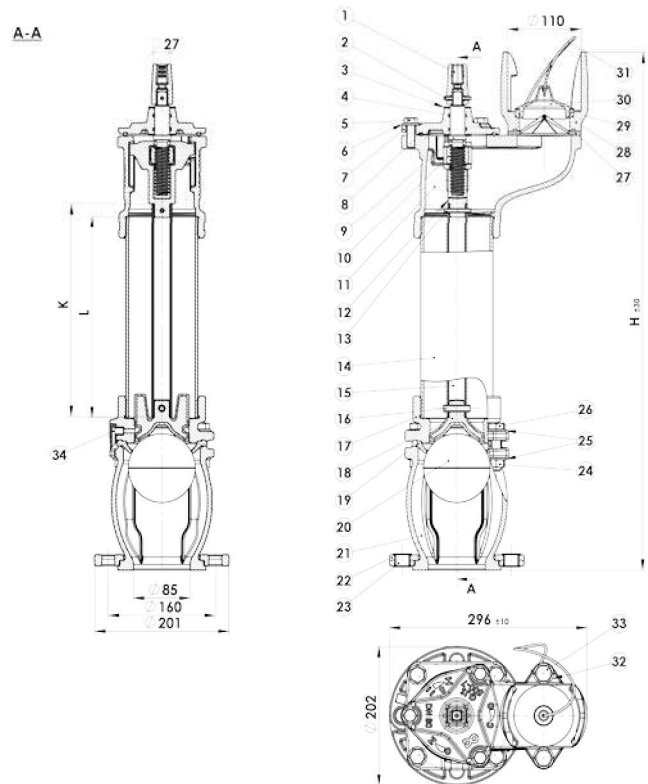
DESIGN FEATURES

- head, base - ductile iron EN GJS-500-7
- column:
 - 614A - carbon steel S235JR
 - 614B - stainless steel (0H18N9 / AISI 304 / 1.4301)
 - 614C - ductile iron (EN GJS-500-7 / 5.3200 / EN JS1030)
 - 614D - carbon steel S235JR hot dip galv.
- rolled stem made of stainless steel (2H13, AISI 420, 1.4021)
- stem seal - o-ring
- sealing at the outlet - pollution deflector
- self - draining when fully closed
- rod:
 - column A, C, D - constructional steel with anti-corrosive coating or stainless steel
 - column B - stainless steel
- double closing system
- closing piston - ductile iron, fully vulcanised with EPDM
- internal elements may be replaced under pressure (with the gate valve fully open)
- rotating flange - for easier installation rotates 0° to 360°
- optionally - brass bushing at piston working location
- corrosion protection
 - epoxy coating

TECHNICAL DATA / STANDARDS

- design, requirements, test methods, application acc. PN-EN 14339, PN-EN 1074-6
- material acc. PN-EN 1563, PN-79/H-74244, PN-EN 10088-1
- flange PN16 acc. PN-EN 1092-2
- operating wrench acc. PN-63/M-74085, DIN 3223
- jaw connection acc. PN-M-51154

No.	Part	Material	Standard
1	Head	EN GJS-500-7	PN-EN 1563
2	Pin	Spring steel	PN-EN ISO 8752
3	Washer	1.4301	PN-EN 10088-1
4	O-ring	EPDM	PN-EN 681-1
5	Bolt	S235JR / Zn5	PN-EN ISO 4762
6	Washer	S235JR / Zn5	PN-EN ISO 4089
7	Cover HP DN80	EN GJS-500-7	PN-EN 1563
8	O-ring	EPDM	PN-EN 681-1
9	Bolt Tr	1.4021	PN-EN 10088-1
10	Nut Tr	CW617N	PN-EN 12164
11	Head HP DN80	EN GJS-500-7	PN-EN 1563
12	Slider DN80	EN GJS-500-7	PN-EN 1563
13	Pin	Spring steel	PN-EN ISO 8752
14	Column	S235JR / A2 / EN GJS-500-7 / S235JR hot dip galv.	PN-79/H-74244 PN-EN 10088-1 PN-EN 1563
15	Rod	S235JR / Zn5 / A2	PN-EN 10219-2 PN-EN 10088-1
16	Pin	Spring steel	PN-EN ISO 8752
17	Upper ball base	EN GJS-500-7	PN-EN 1563
18	Closing piston	EN GJS-500-7	PN-EN 1563
19	Ball base seal	EPDM	PN-EN 681-1
20	Ball	Steel EPDM	PN-EN 10088-1 + PN-EN 681-1
21	Bottom ball base	EN GJS-500-7	PN-EN 1563
22	Half-ring	EN GJS-500-7	PN-EN 1563
23	Bushing	Copper	PN-79/H92710
24	Nut	S235JR / Zn5	PN-EN ISO 4032
25	Washer	S235JR / Zn5	PN-EN ISO 4089
26	Bolt	S235JR / Zn5	PN-EN ISO 4762
27	Pollution deflector	EPDM	PN-EN 681-1
28	Jaw coupling	EN GJS-500-7	PN-EN 1563
29	Ring	CW617N	PN-EN 12164
30	Cover	PE	PN-89/C-89286
31	String		
32	Washer	S235JR / Zn5	PN-EN ISO 4089
33	Bolt	S235JR / Zn5	PN-EN ISO 4762
34	Drainage plug	PE	PN-89/C-89286



DN	Height H [mm]	Installation depth Rd [mm]	Weight [kg]
80	750	1000	28,7
80	1000	1250	31,8
80	1250	1500	35,0
80	1500	1750	38,1