

705

INDEX NO.

DISMANTLING JOINT WM2



APPLICATION

Intended for pipeline length adjustment, when assembling and disassembling fittings, and alleviation of piping stress compensation for movement. Waterworks, wastewater and other systems for liquids chemically neutral.

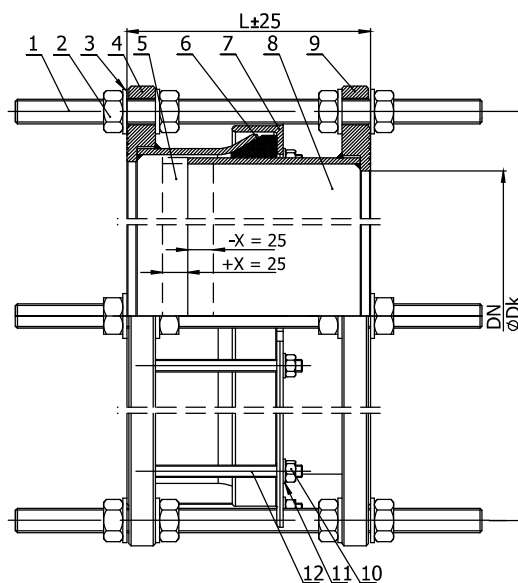
DESIGN FEATURES

- diameter range DN250-2000
- adjustment range:
 - standard ± 25 mm
 - optional ± 50 mm
- corrosion protection:
 - epoxy coating
 - optional: hot-dip galvanized
- EPDM gasket for potable water or NBR gasket for wastewater
- threaded galvanized pins, optional: hot-dip galvanized, stainless steel, acidresistant steel
- possibility to design and produce a joint according to individual customer needs: nonstandard height, made of different materials, e.g. stainless steel
- two-flange solution with a sealing rim screwed with independent threaded pins

TECHNICAL DATA / STANDARDS

- material acc. PN-EN 10020
- seal:
 - NBR: PN-EN 681-1
 - EPDM: WRAS, BS 6920-2, ACS
- flange drilled acc. PN-EN 1092
- nominal pressure:
 - PN10: DN250-2000
 - PN16: DN250-1200
- temperature range:
 - EPDM: -10°C / $+60^{\circ}\text{C}$
 - NBR: -20°C / $+80^{\circ}\text{C}$

No.	Name	Material	Standard
1	Threaded pin I	S235JR / Zn5 / A2 / A4	DIN 975
2	Nut I	S235JR / Zn5 / A2 / A4	PN-EN ISO 4032
3	Washer I	S235JR / Zn5 / A2 / A4	PN-EN ISO 7089
4	Connection flange I	S235JR / 0H18N9 / 0H17N12M2	PN-EN 1092
5	Body I	S235JR / 0H18N9 / 0H17N12M2	PN-EN 10020
6	Gasket	EPDM / NBR	PN-EN 681
7	Clamping rim	S235JR / 0H18N9 / 0H17N12M2	PN-EN 10020
8	Body II	S235JR / 0H18N9 / 0H17N12M2	PN-EN 10020
9	Connection flange II	S235JR / 0H18N9 / 0H17N12M2	PN-EN 1092
10	Nut II	S235JR / Zn5 / A2 / A4	PN-EN ISO 4032
11	Washer II	S235JR / Zn5 / A2 / A4	PN-EN ISO 7089
12	Threaded pin II	S235JR / Zn5 / A2 / A4	DIN 975



DN	Length* L [mm]	Outer flange diameter ØC [mm]		Effective diameter ØDk [mm]		Number of ports n × Ød [mm]		Threaded pin		Number of threaded pins		≈ Weight [kg]	
		PN10 / PN16	PN10	PN16	PN10	PN16	PN10	PN16	PN10	PN16	PN10	PN16	PN10
250	240	395	405	350	355	12x22	12x26	M 20	M 24	4		49	60
300	240	445	460	400	410	12x22	12x26	M 20	M 24	4		53	67
350	240	505	520	460	470	16x22	16x26	M 20	M 24	4		60	80
400	240	565	580	515	525	16x26	16x30	M 24	M 27	4		82	115
450	260	615	640	565	585	20x26	20x30	M 24	M 27	4		92	122
500	270	670	715	620	650	20x26	20x33	M 24	M 30	4		107	145
600	270	780	840	725	770	20x30	20x36	M 27	M 33	4		135	195
700	270	895	910	840	840	24x30	24x36	M 27	M 33	4		160	240
800	300	1015	1025	950	950	24x33	24x39	M 30	M 36	4		230	300
900	300	1115	1125	1050	1050	28x33	28x39	M 30	M 36	7		260	330
1000	300	1230	1255	1160	1170	28x36	28x42	M 33	M 39	7		315	470
1200	320	1455	1485	1380	1390	32x39	32x48	M 36	M 45	8		455	680

* for the adjustment range ± 25 mm

Note: Joints above DN1200 are available per customer request.