

706

INDEX NO.

DISMANTLING JOINT WM3



APPLICATION

Intended for pipeline length adjustment, when assembling and disassembling fittings, and alleviation of piping stress compensation for movement. Waterworks, wastewater and other systems for liquids chemically neutral.

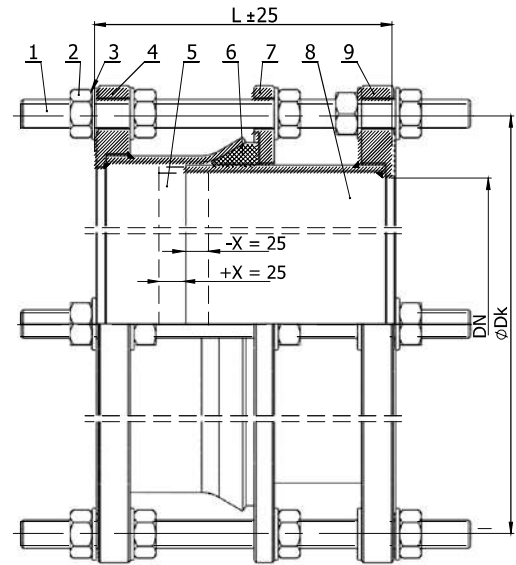
DESIGN FEATURES

- diameter range DN250-2000
- adjustment range:
 - standard ± 25 mm
 - optional ± 50 mm
- corrosion protection:
 - epoxy coating
 - optional: hot-dip galvanized
- EPDM gasket for potable water or NBR gasket for wastewater
- threaded galvanized pins, optional: hot-dip galvanized, stainless steel, acidresistant steel
- possibility to design and produce a joint according to individual customer needs: nonstandard height, made of different materials, e.g. stainless steel
- three-flange solution with a sealing flange

TECHNICAL DATA / STANDARDS

- material acc. PN-EN 10020
- seal:
 - NBR: PN-EN 681-1
 - EPDM: WRAS, BS 6920-2, ACS
- flange drilled acc. PN-EN 1092
- nominal pressure:
 - PN10: DN250-2000
 - PN16: DN250-1200
- temperature range:
 - EPDM: -10°C / $+60^{\circ}\text{C}$
 - NBR: -20°C / $+80^{\circ}\text{C}$

No.	Name	Material	Standard
1	Threaded pin	S235JR / Zn5 / A2 / A4	DIN 975
2	Nut	S235JR / Zn5 / A2 / A4	PN-EN ISO 4032
3	Washer	S235JR / Zn5 / A2 / A4	PN-EN ISO 7089
4	Connection flange I	S235JR / 0H18N9 / 0H17N12M2	PN-EN 1092
5	Body I	S235JR / 0H18N9 / 0H17N12M2	PN-EN 10020
6	Gasket	EPDM / NBR	PN-EN 681
7	Clamping flange	S235JR / 0H18N9 / 0H17N12M2	PN-EN 10020
8	Body II	S235JR / 0H18N9 / 0H17N12M2	PN-EN 10020
9	Connection flange II	S235JR / 0H18N9 / 0H17N12M2	PN-EN 1092



DN	Length* L [mm]	Outer flange diameter ØC [mm]		Effective diameter ØDk [mm]		Number of ports n × Ød [mm]		Threaded pin		Number of threaded pins		≈ Weight [kg]	
	PN10 / PN16	PN10	PN16	PN10	PN16	PN10	PN16	PN10	PN16	PN10	PN16	PN10	PN16
250	255	395	405	350	355	12x22	12x26	M 20	M 24	4		50	57
300	255	445	460	400	410	12x22	12x26	M 20	M 24	4		58	74
350	255	505	520	460	470	16x22	16x26	M 20	M 24	4		69	83
400	260	565	580	515	525	16x26	16x30	M 24	M27	4		84	110
450	280	615	640	565	585	20x26	20x30	M 24	M 27	4		94	126
500	300	670	715	620	650	20x26	20x33	M 24	M 30	4		115	170
600	300	780	840	725	770	20x30	20x36	M27	M 33	4		140	220
700	300	895	910	840	840	24x30	24x36	M 27	M 33	4		180	225
800	315	1015	1025	950	950	24x33	24x39	M 30	M 36	4		270	345
900	330	1115	1125	1050	1050	28x33	28x39	M 30	M 36	7		290	365
1000	330	1230	1255	1160	1170	28x36	28x42	M 33	M 39	7		365	535
1200	370	1455	1485	1380	1390	32x39	32x48	M 36	M 45	8		610	860

* for the adjustment range ± 25 mm

Note: Joints above DN1200 are available per customer request.