

# 803

INDEX NO.

## DUCKFOOT BEND N 90°

### APPLICATION

Waterworks, wastewater systems and other liquids chemically neutral.

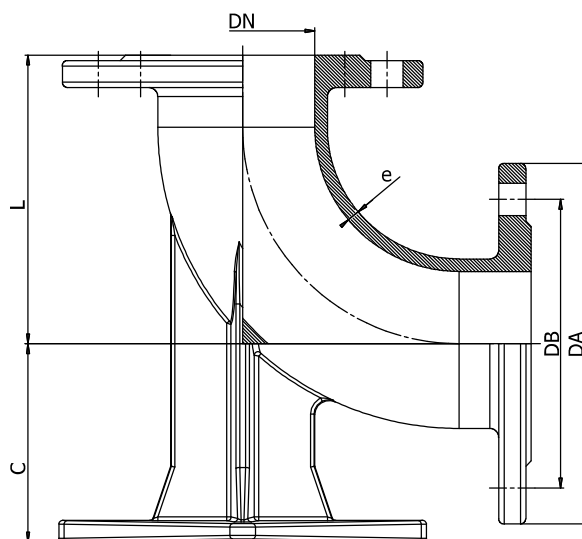
### DESIGN FEATURES

- diameter range DN80-DN150
- body - ductile iron EN GJS-500-7
- milled grooves in the face of the flange
- anticorrosion coating - epoxy RAL5005, min. 250 µm

### TECHNICAL DATA / STANDARDS

- produced acc. PN-EN 545
- material acc. PN-EN 1563
- flange connections acc. PN-EN 1092-2
  - DN80-DN150: PN10/PN16
- temperature range: 0°C / +50°C





DN	e	L	C	d	PN10		PN16		Weight [kg]
					DA	DB	DA	DB	
80	7,0	165	110	180	200	160	200	160	14,0
100	7,2	180	125	200	220	180	220	180	18,5
150	7,8	220	160	250	285	240	285	240	31,2