

811

INDEX NO.

REDUCER FFR



APPLICATION

Waterworks, wastewater systems and other liquids chemically neutral.

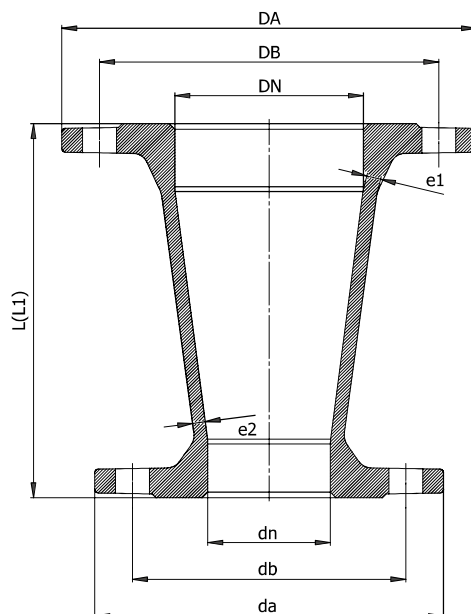
DESIGN FEATURES

- diameter range DN65-DN300
- body - ductile iron EN GJS-500-7
- milled grooves in the face of the flange
- anticorrosion coating - epoxy RAL5005, min. 250 µm

TECHNICAL DATA / STANDARDS

- produced acc. PN-EN 545
- material acc. PN-EN 1563
- flange connection acc. PN-EN 1092-2
 - DN50-DN150: PN10/PN16
 - DN200-DN300: PN10*
- temperature range: 0°C / +50°C

*DN200-DN300 PN16 on request



DN	dn	e1	e2	L	PN10				PN16				Weight [kg]
					DA	DB	da	db	DA	DB	da	db	
65	50	7,0	7,0	200	185	145	165	125	185	145	165	125	7,3
80	50	7,0	7,0	200	200	160	165	125	200	160	165	125	8,2
	65		7,0	200			185	145			185	145	8,4
100	50	7,2	7,0	200	220	180	165	125	220	180	165	125	9,4
	65		7,0	200			185	145			185	145	9,5
	80		7,0	200			200	160			200	160	10,0
125	80	7,5	7,0	200	250	210	200	160	250	210	200	160	12,0
	100		7,2	200			220	180			220	180	14,2
150	80	7,8	7,0	200	285	240	200	160	285	240	200	160	16,5
	100		7,2	200			220	180			220	180	16,8
	125		7,5	200			250	210			250	210	17,2
200	80	8,4	7,0	300	340	295	200	160	340	395	200	160	22,2
	100		7,2	300			220	180			220	180	23,5
	125		7,5	270			250	210			250	210	23,0
	150		7,8	300			285	240			285	240	24,0
250	80	9,0	7,0	300	395	350	200	160	405	355	200	160	27,5
	100		7,2	300			220	180			220	180	55,0
	150		7,8	300			285	240			285	240	51,2
	200		8,4	300			340	295			340	295	38,0
300	100	9,6	7,2	270	565	515	220	180	460	410	220	180	32,0
	150		7,8	300			285	240			285	240	34,0
	200		8,4	300			340	295			340	295	51,0
	250		9,0	300			395	350			405	355	52,0