

813

INDEX NO.

BLANK FLANGE X

APPLICATION

Waterworks and wastewater installations.
Intended for closing pipes or flange fittings.

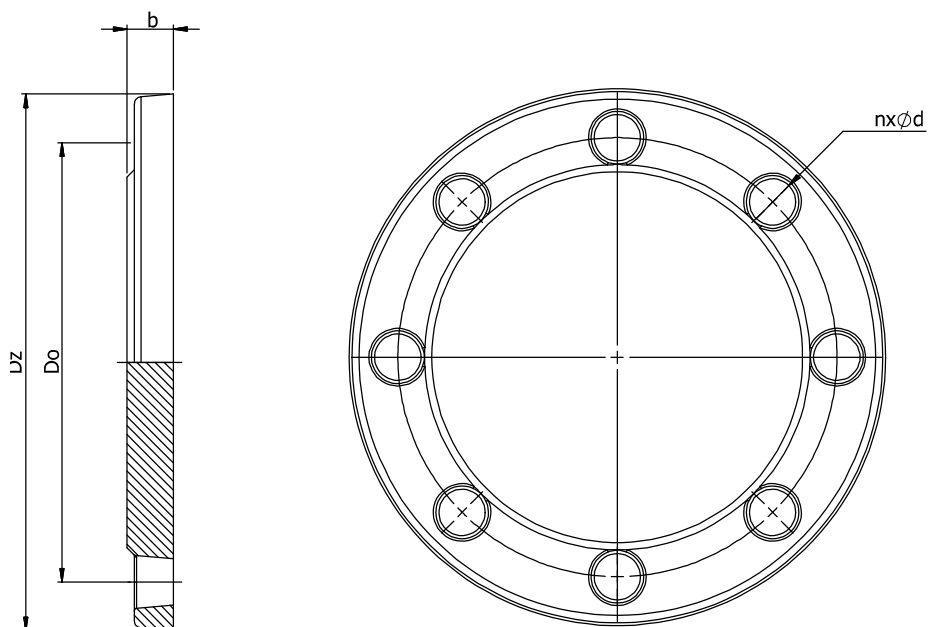
DESIGN FEATURES

- diameter range DN50-DN150
- body - ductile iron EN GJS-500-7
- milled grooves in the face of the flange
- anticorrosion coating - epoxy RAL5005, min. 250 µm

TECHNICAL DATA / STANDARDS

- material acc. PN-EN 1563
- flange connection acc. PN-EN 1092-2 - PN10/PN16
- temperature range: 0°C / +50°C





DN	Dz [mm]	Do [mm]	do [mm]	n [mm]	b [mm]	Weight [kg]
50	165	125	19	4	16	2,2
80	200	160	19	8	16	3,1
100	220	180	19	8	16	3,9
150	285	240	19	8	16	6,7