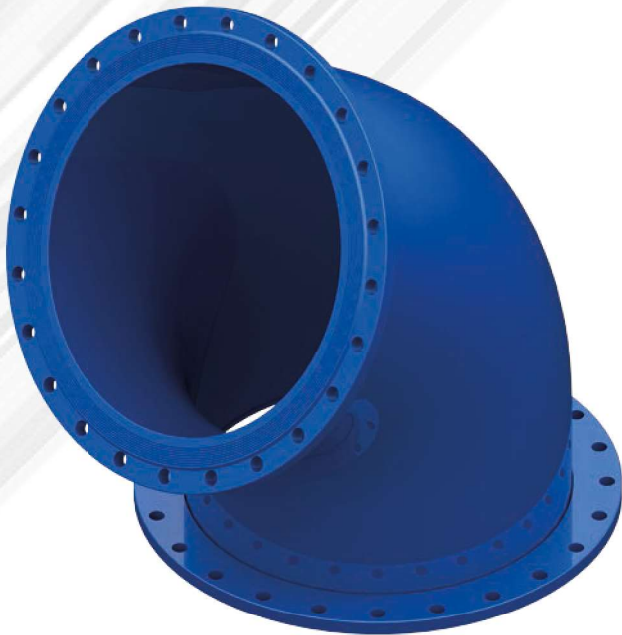


865

INDEX NO.

DOUBLE FLANGE STEEL BEND FFKS



APPLICATION

Intended for the construction of water and sewage connections, changing direction and leading the pipeline to the surface. Waterworks, wastewater and other systems for liquids chemically neutral.

DESIGN FEATURES

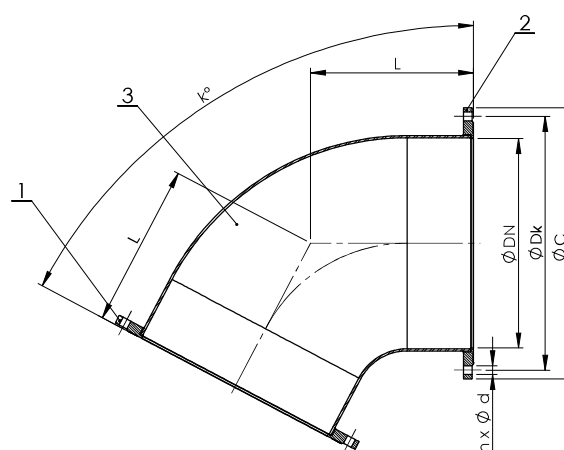
- diameter range DN250 - 2000
- corrosion protection:
 - epoxy coating
 - optional: hot-dip galvanized
- possibility to design and produce fittings according to individual customer needs: nonstandard height, any angle between flanges, made of different materials, e.g. stainless steel
- the possibility of extending a bend by stabilizing foot or blade poured out with concrete to support the installation

TECHNICAL DATA / STANDARDS

- flange drilled acc. PN-EN 1092
- nominal pressure:
 - PN10: DN250-2000
 - PN16: DN250-1200
- temperature: 0°C/+50°C

No.	Name	Material	Standard
1	Connection flange I	S235JR / 0H18N9 / 0H17N12M2	PN-EN 1092
2	Connection flange II	S235JR / 0H18N9 / 0H17N12M2	PN-EN 1092
3	Body	S235JR / 0H18N9 / 0H17N12M2	PN-EN 10020

Flange	Length	Angle
DN	L [mm]	k°
250-2000	250-1000	5-150



DN	Length L [mm]	Outer flange diameter $\varnothing C$ [mm]		Effective diameter $\varnothing Dk$ [mm]		Number of ports $n \times \varnothing d$ [mm]	
		PN10	PN16	PN10	PN16	PN10	PN16
250	250-1000	395	405	350	355	12x22	12x26
300		445	460	400	410	12x22	12x26
350		505	520	460	470	16x22	16x26
400		565	580	515	525	16x26	16x30
450		615	640	565	585	20x26	20x30
500		670	715	620	650	20x26	20x33
600		780	840	725	770	20x30	20x36
700		895	910	840	840	24x30	24x36
800		1015	1025	950	950	24x33	24x39
900		1115	1125	1050	1050	28x33	28x39
1000		1230	1255	1160	1170	28x36	28x42
1200		1455	1485	1380	1390	32x39	32x48
1400		1675	1685	1590	1590	36x42	36x48
1600		1915	1930	1820	1820	40x48	40x56
1800		2115	2130	2020	2020	44x48	44x56
2000		2325	2345	2230	2230	48x48	48x62