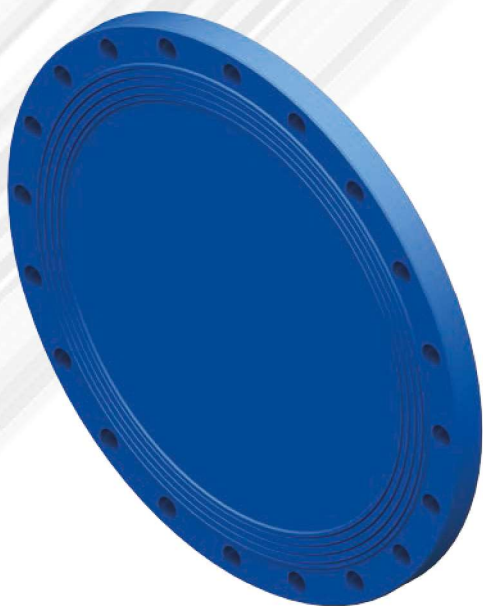


# 872

INDEX NO.

## STEEL BLANK FLANGE KS



### APPLICATION

Intended for plugging pipes and flange fittings. Waterworks, wastewater and other systems for liquids chemically neutral.

### DESIGN FEATURES

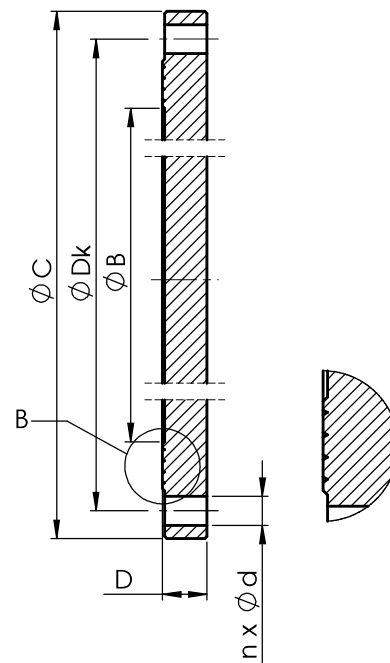
- diameter range DN250-1400
- corrosion protection:
  - epoxy coating
  - optional: hot-dip galvanized or uncoated
- possibility to design and produce flanges according to individual customer needs

### TECHNICAL DATA / STANDARDS

- flange drilled acc. PN-EN 1092
- nominal pressure: PN10/PN16
- temperature: 0°C/+50°C

No.	Name	Material	Standard
1	Flange	S235JR / 0H18N9 / 0H17N12M2	PN-EN 1092

DN	Outer flange diameter $\varnothing C$ [mm]		Effective diameter $\varnothing Dk$ [mm]		Number of ports $n \times \varnothing d$ [mm]		Flange thickness $D$ [mm]		Flange hole $\varnothing B$ [mm]
	PN10	PN16	PN10	PN16	PN10	PN16	PN10	PN16	
250	395	405	350	355	12x22	12x26	24	26	250
300	445	460	400	410	12x22	12x26	25	30	300
350	505	520	460	470	16x22	16x26	25	32	350
400	565	580	515	525	16x26	16x30	28	34	400
450	615	640	565	585	20x26	20x30	30	35	450
500	670	715	620	650	20x26	20x33	32	36	500
600	780	840	725	770	20x30	20x36	36	38	600
700	895	910	840	840	24x30	24x36	36	42	700
800	1015	1025	950	950	24x33	24x39	38	42	800
900	1115	1125	1050	1050	28x33	28x39	42	45	900
1000	1230	1255	1160	1170	28x36	28x42	45	50	1000
1200	1455	1485	1380	1390	32x39	32x48	50	55	1200
1400	1675	1685	1590	1590	36x42	36x48	52	57	1400



**Note:** Flanges above DN1400 are available per customer request.