

961

INDEX NO.

OVERGROUND HYDRANT S-KEY

APPLICATION

Waterworks. Intended for operation of overground hydrants (opening/closing), outlet caps and fire connections.

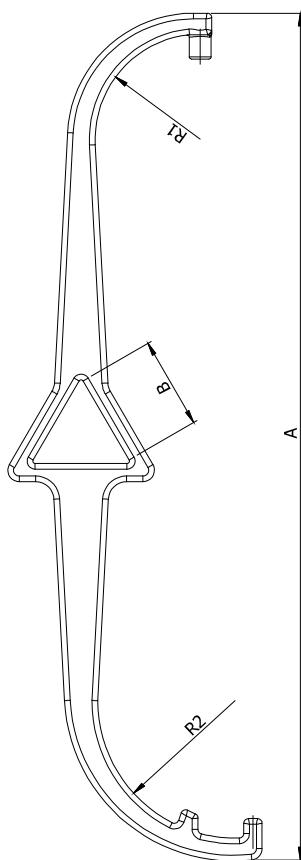
DESIGN FEATURES

- body - ductile iron EN GJS-500-7
- anticorrosion coating - epoxy RAL5005, min. 120 µm

TECHNICAL DATA / STANDARDS

- produced acc. PN-M-74088
- material acc. PN-EN 1563





No.	Part	Material	Standard
1	Body	EN GJS-500-7	PN-EN 1563

A [mm]	B [mm]	R1 [mm]	R2 [mm]	Weight [kg]
~ 370	~ 41	~ 45	~ 60	0,7