

# 962

INDEX NO.

## GATE VALVE AND UNDERGROUND HYDRANT T-KEY

### APPLICATION

Waterworks and wastewater installations.  
Intended for operation of the gate valves,  
manhole covers and underground hydrants.

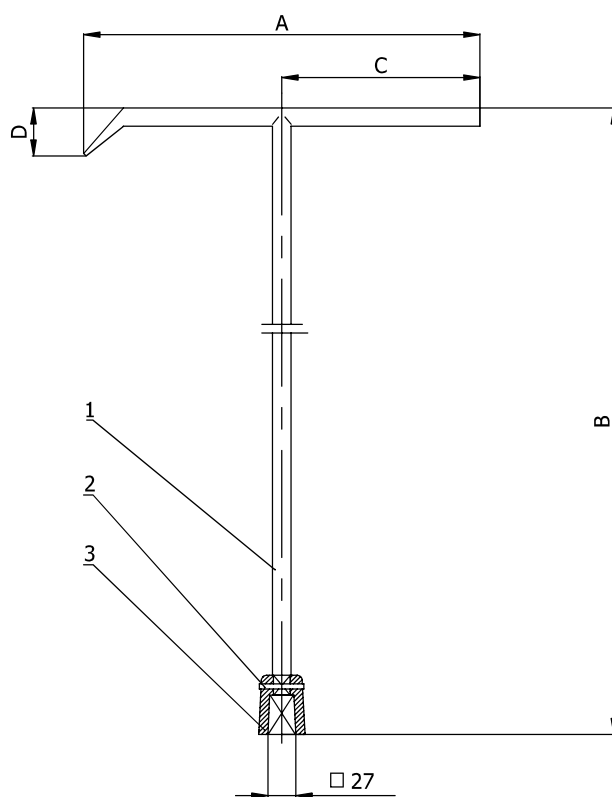
### DESIGN FEATURES

- body - structural steel S235JR
- valve key cap - ductile iron EN GJS-500-7
- anticorrosion coating - epoxy RAL5005,  
min. 120 µm

### TECHNICAL DATA / STANDARDS

- produced acc. PN-M-74085
- material acc. PN-EN 1563





No.	Part	Material	Standard
1	Bar	S235JR	PN-EN 10025-1
2	Pin	Spring steel	PN-EN ISO 8752
3	Valve key cap	EN GJS-500-7	PN-EN 1563

A [mm]	B [mm]	C [mm]	D [mm]	Weight [kg]
~ 600	~ 1100	~ 285	60	8,5